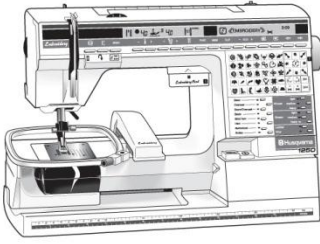
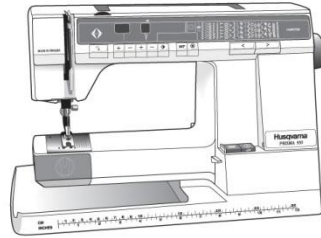


## Welk type Husqvarna hebt u?

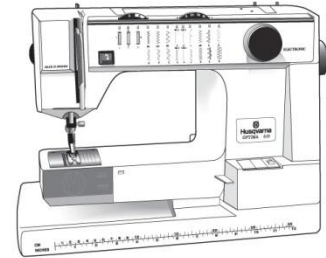
Aan het nummer kunt u zien welk voetje u bijvoorbeeld nodige bent



① ORCHIDEA™, I250, #I+, I200, I100, I090, I070, I070 S, I050.



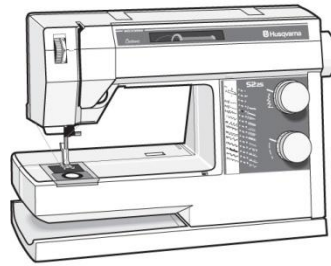
② 990 S, 990, 980, 960, 950 S, 950, 945, 940.



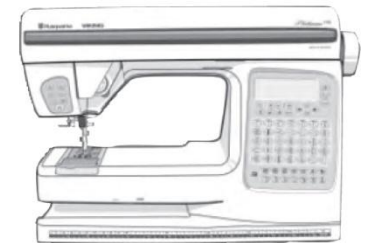
③ 630, 620, 610, 190, 185, 180, 150, 120.



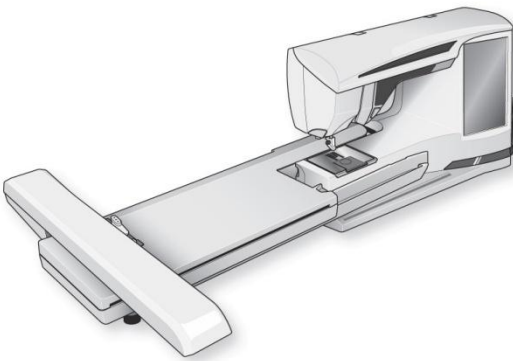
④ 105, 100, 95, 90.



⑤ PRELUDE™ 360, PRELUDE™ 340, DAISY™ 335, 330, 325, 320, 315, 310, HUSQVARNA VIKING® 250, 230, 225/215, 210, 205, SCANDINAVIA™ 100, EMERALD™ 122, 118, 116.



⑥ PLATINUM™ 955 E, 950 E, PLATINUM™ Plus 775, 770, 755 Quilt, 750 Quilt, 735, 730, 715, ROSE™ 605, 600, IRIS™, LILY™ 555, 550, 545, 540, 535, 530, HUSQVARNA VIKING® 500, INTERLUDE™ 445, 435, FREE-SIA™ 425, 415, HUSQVARNA VIKING® 400, 350, SCANDINAVIA™ 400, 300, 200, EMERALD™ 203, 183.



⑦ DESIGNER DIAMOND *deLuxe*™, DESIGNER DIAMOND™, DESIGNER RUBY *deLuxe*™, DESIGNER RUBY™, DESIGNER TOPAZ™ 30, 20, DESIGNER™ SE, DESIGNER™ SE Limited Edition, DESIGNER™ I, II, QUILT DESIGNER™, QUILT DESIGNER™ II, SAPPHIRE™ 875Q, 870Q, 855, 850, 835, 830, OPAL™ 670, 650.

---

Naaimachinehandel Gerrijts.- Tel +31(0)599612419 - mail@naaimachinehandel.nl

www.naaimachinehandel.nl - www.paspop.com